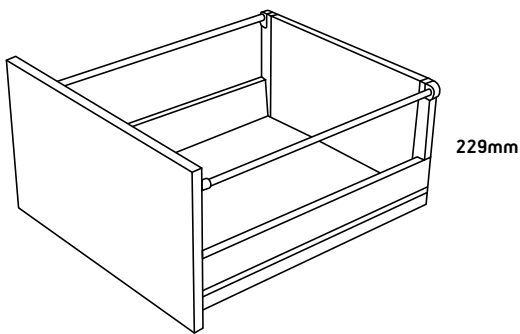


Harn Ritma



Ritma Cube Standard Drawer - HSS

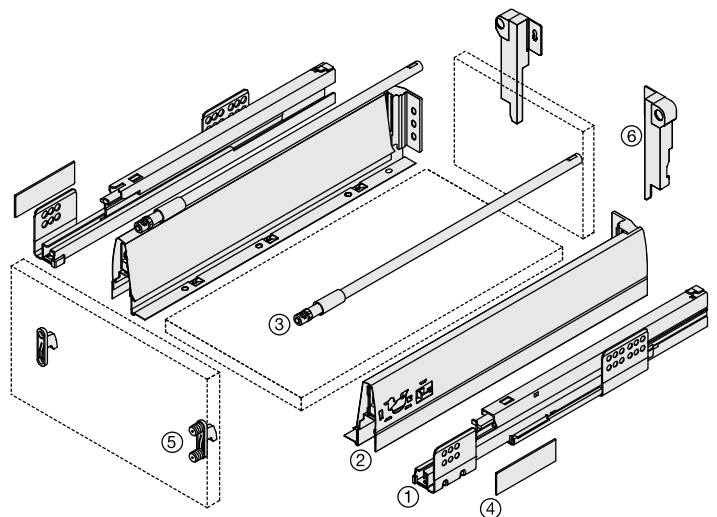
- Soft close roller bearing concealed runners
- Full extension with synchro control
- Steel drawer side 96.5mm (229mm to top of railing)
- Load capacity of 35kg
- Quick assembly
- Flexible 2-dimensional front adjustment
- Sylent integrated cushioning system
- Integrated lateral stabiliser
- **Railing Set**



	Kit Part No. Screw-on	Kit Part No. Knock-in	Kit Part No. Expansion	Size	Sales Unit
White 35kg	RKS8327HSS.WH#	RKK8327HSS.WH#	RKE8327HSS.WH#	270mm	Kit
	RKS8335HSS.WH#	RKK8335HSS.WH#	RKE8335HSS.WH#	350mm	Kit
	RKS8340HSS.WH	RKK8340HSS.WH	RKE8340HSS.WH	400mm	Kit
	RKS8345HSS.WH	RKK8345HSS.WH	RKE8345HSS.WH	450mm	Kit
	RKS8350HSS.WH	RKK8350HSS.WH	RKE8350HSS.WH	500mm	Kit
	RKS8355HSS.WH	RKK8355HSS.WH	RKE8355HSS.WH	550mm	Kit

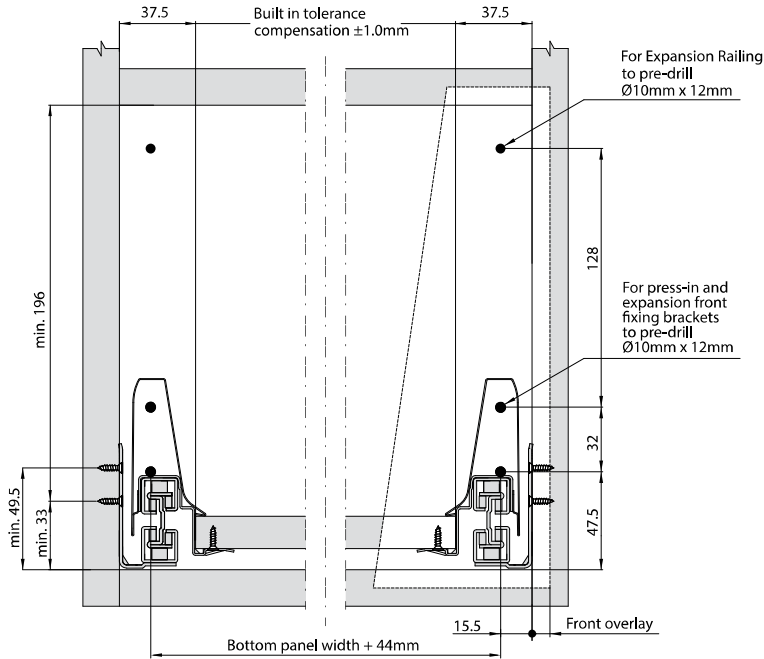
Available 2016

*Please contact us directly to discuss your Harn Ritma Cube requirements so that we may offer you the best possible pricing structure.

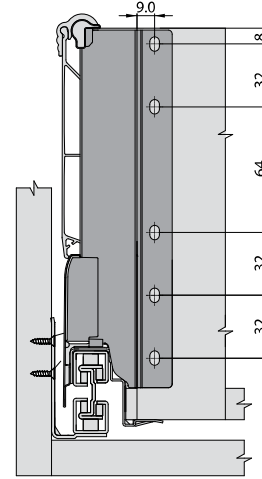


*Grey parts are included in kit.

Space Requirements & Front Installation Dimensions



Back Installation Dimensions



Cabinet Profile Screw Positions

Drawer Length

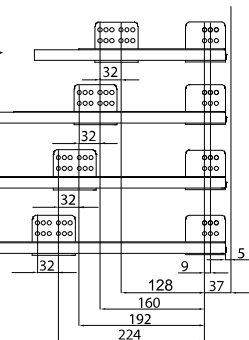
Min. internal cabinet depth = drawer length + 3 mm
Actual loss of extension = 0 mm

270, 300 & 350 mm

400 mm

450 mm

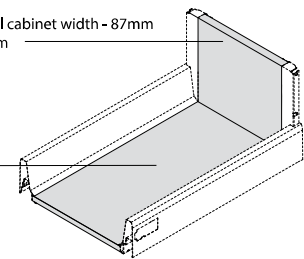
500, 550 mm



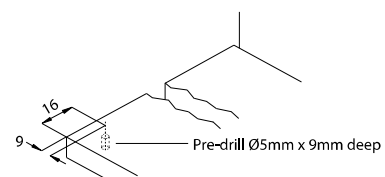
Cutting Dimensions for 16mm Chipboard

Back panel
Width = internal cabinet width - 87mm
Height = 199mm

Bottom panel
Width = Internal cabinet width - 75mm
Length = drawer length - 24 mm



Pre-drilling Dimensions of Bottom Panel for fixing Euro Screws



For drawers over 700mm in width we recommend the use of the Euro Orvel Lock & Support for Wide Drawers. Ref page 4.94.